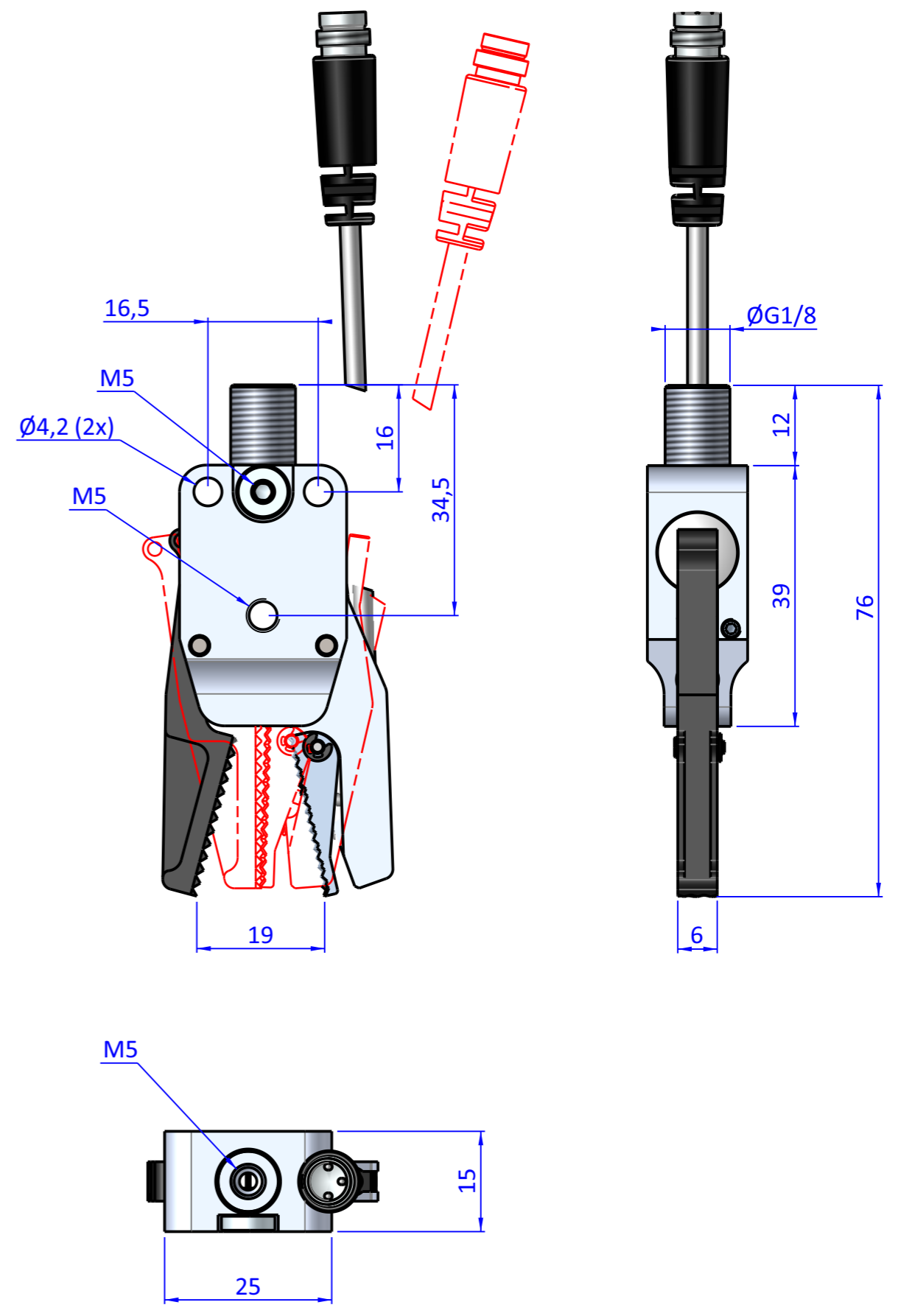
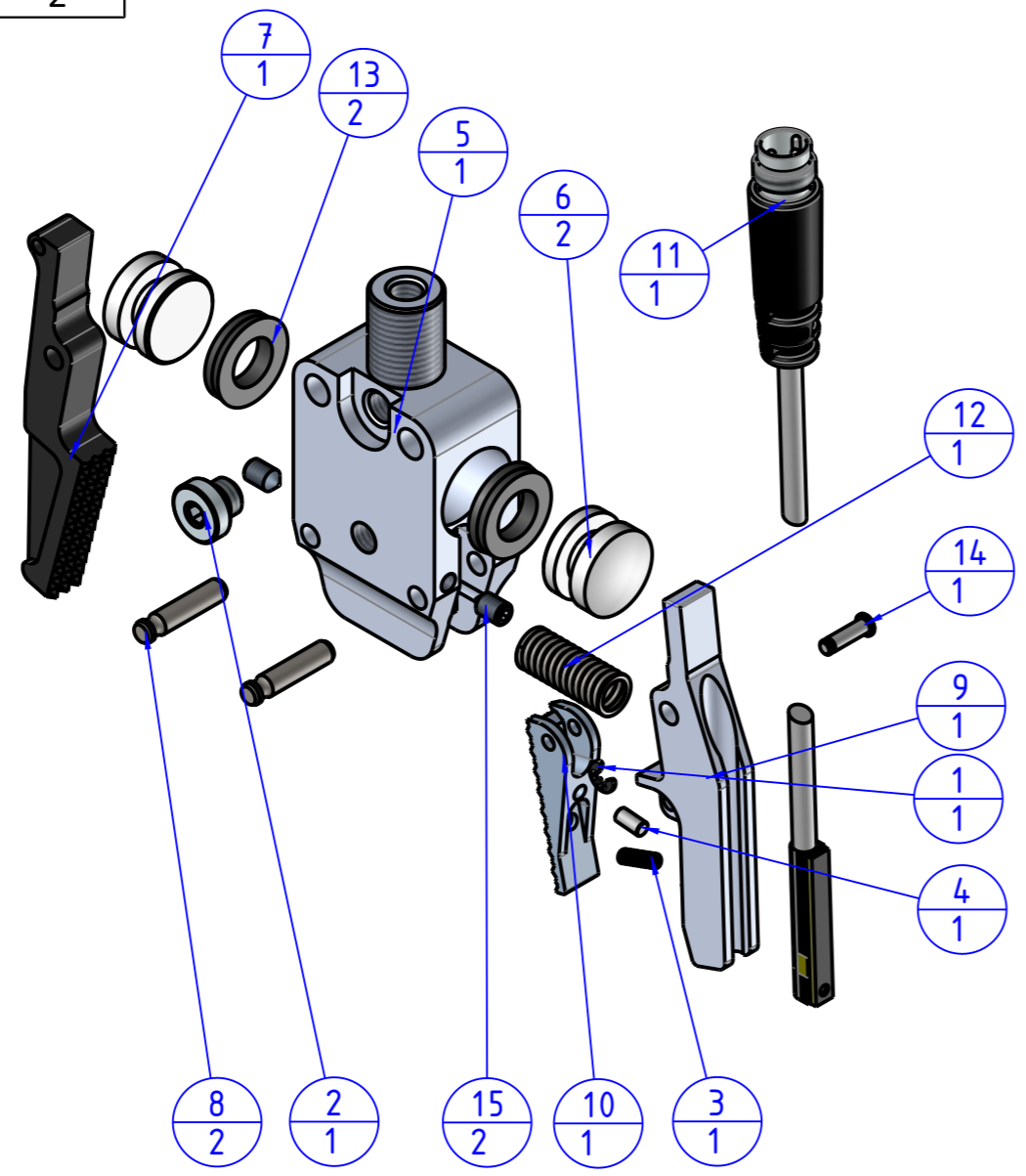



THE PROPERTY OF THE DRAWING IS ESTABLISHED BY LAW. IT IS FORBIDDEN TO PRODUCE OR SHOW IT TO THIRD PART. WITHOUT A WRITTEN AGREEMENT.

Item	Name	Q.ty
1	A.ELA.RA1.5	1
2	CA.08.14.013	1
3	DIM.D10620	1
4	GZA.10.08.9	1
5	GZA.10.12.1.18	1
6	GZA.10.12.2	2
7	GZA.10.12.3.D	1
8	GZA.10.12.5	2
9	GZA.10.12.301	1
10	GZA.10.12.302	1
11	KT58PM8	1
12	M.6x25.SH	1
13	PSP.1269255	2
14	SP.2x7.5SS	1
15	V.STM3X5	2



Format A3
UNI 936-76

 FPS FPSERVICES AUTOMATION		DESIGNED FROM		REVIEW
		FPS Automation		A
GENERAL TOLERANCE		DATE		WEIGHT
UNI - ISO 2768		20/07/2023		0,045kg
CLASSE f		CODE		
		CA.GZA.10.12.8MS		CA.GZA.10.12.820